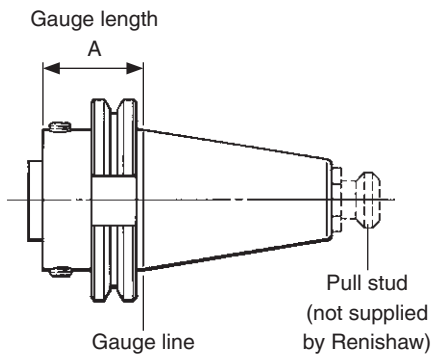


Taper shanks for machine tool probes

Shanks for OMP60 / OMP600 / RMP60 / RMP600 (when not used in shank switch configuration) and MP11 probes

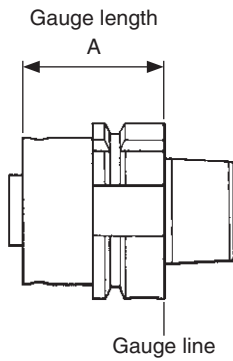
- Quote the part number when ordering equipment.
- Shanks are supplied in a natural finish.
- Dimensions are provided in mm (in).
- Face and taper (+) shanks should only be used where absolutely necessary.
- If you cannot find the shank you require, contact your local Renishaw representative for further information.

Taper shanks



Shank type	Part number	Taper	Gauge length A
DIN 69871A (ISO 7388-1)	M-2045-0064	30	35.25 (1.388)
	M-2045-0065	40	35.25 (1.388)
	M-2045-0412	40+	35.25 (1.388)
	M-2045-0067	50	35.25 (1.388)
	M-2045-0413	50+	41.00 (1.614)
BT - 1982 (ISO 7388-2)	M-2045-0077	30	27.50 (1.083)
	M-2045-0487	30+	27.50 (1.083)
	M-2045-0027	40	32.00 (1.260)
	M-2045-0410	40+	32.00 (1.260)
	M-2045-0073	50	38.00 (1.496)
	M-2045-0411	50+	38.00 (1.496)
ANSI CAT B5.50-1985 (ASME B5.50) (imperial pull stud thread)	M-2045-0137	40	35.25 (1.388)
	M-2045-0596	40+	36.00 (1.417)
	M-2045-0139	50	35.25 (1.388)
	M-2045-0480	50+	33.40 (1.315)
ANSI CAT B5.50-1985 (ASME B5.50) (metric pull stud thread)	M-2045-0208	40	40.25 (1.585)
	M-2045-0414	40+	40.25 (1.585)
	M-2045-0238	50	35.25 (1.388)
	M-2045-0415	50+	35.25 (1.388)
DIN 2080 (manual tool change)	M-2045-0132	30	20.00 (0.787)
	M-2045-0024	40	13.60 (0.535)
	M-2045-0026	50	15.20 (0.598)

HSK shanks

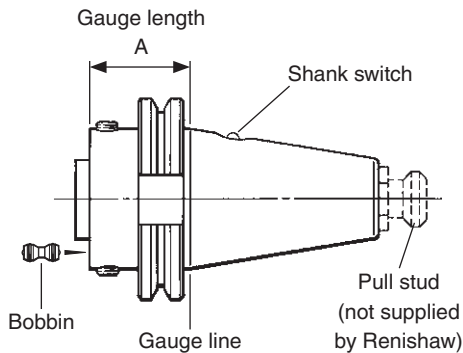


Shank type	Part number	HSK	Gauge length A	
DIN 69893 HSK form A+C (ISO 12164-1)	M-2045-0232	A+C32	46.00 (1.811)	
	M-2045-0186	A+C40	47.00 (1.850)	
	M-2045-0187	A+C50	50.00 (1.969)	
	M-2045-0188	A+C63	53.00 (2.087)	
	ALTERNATIVE M-2033-7091	A+C63	55.00 (2.165)	
	M-2045-0189	A+C80	50.00 (1.969)	
	M-2045-0190	A+C100	61.00 (2.402)	
	ALTERNATIVE M-2033-7092	A+C100	60.00 (2.362)	
	DIN 69893 HSK form E (ISO12164-1)	M-2045-0204	E40	42.40 (1.669)
		M-2045-0205	E50	47.00 (1.850)
DIN 69893 HSK form F (ISO12164-1)	M-2045-0287	F63	53.00 (2.087)	
SANDVIK CAPTO (ISO 26623-1)	M-2045-0346	C5	32.00 (1.260)	
	M-2045-0310	C6	42.00 (1.654)	
	M-2045-0311	C8	50.00 (1.969)	
KENNAMETAL KM (ISO 26622-1)	M-2045-0335	KM63	25.60 (1.008)	
	M-2045-0344	KM63Y	30.00 (1.181)	

Shanks for OMP60 / OMP600 / RMP60 / RMP600 probes (when used in shank switch configuration)

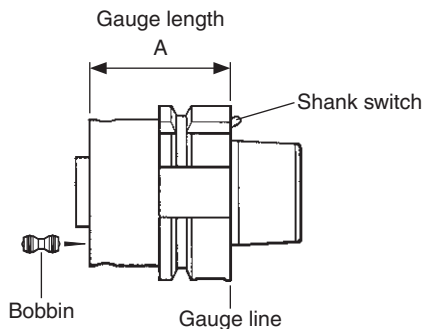
- Quote the part number when ordering equipment.
- Shanks are supplied in a natural finish.
- The bobbin is supplied with the shank.
- Dimensions are provided in mm (in).
- Face and taper (+) shanks should only be used where absolutely necessary.
- If you cannot find the shank you require, contact your local Renishaw representative for further information.

Taper shanks



Shank type	Part number	Taper	Gauge length A
DIN 69871A (ISO 7388-1)	A-4038-0231	30	66.20 (2.606)
	A-4038-0053	40	35.25 (1.388)
	A-4038-0232	50	41.00 (1.614)
BT - 1982 (ISO 7388-2)	A-4038-0233	30	65.00 (2.559)
	A-4038-0234	40	35.25 (1.388)
	A-4038-0235	50	41.00 (1.614)
ANSI CAT B5.50-1985 (ASME B5.50) (imperial pull stud thread)	A-4038-0236	30	65.00 (2.559)
	A-4038-0237	40	35.25 (1.388)
	A-4038-0846	40+	35.25 (1.388)
	A-4038-0238	50	35.25 (1.388)
	A-4038-0848	50+	35.25 (1.388)
ANSI CAT B5.50-1985 (ASME B5.50) (metric pull stud thread)	A-4038-0239	40	35.25 (1.388)
	A-4038-0240	50	35.25 (1.388)

HSK shanks



Shank type	Part number	HSK	Gauge length A
DIN 69893 HSK form A+C (ISO 12164-1)	A-4038-0070	A+C40	72.50 (2.854)
	A-4038-0050	A+C50	62.00 (2.441)
	A-4038-0063	A+C63	62.50 (2.461)
	A-4038-0241	A+C80	42.50 (1.673)
	A-4038-0242	A+C100	61.00 (2.402)
DIN 69893 HSK form E (ISO 12164-1)	A-4038-0243	E40	72.50 (2.854)
	A-4038-0244	E50	62.00 (2.441)
	A-4038-0245	E63	60.00 (2.362)

Bobbin for shank switch configuration

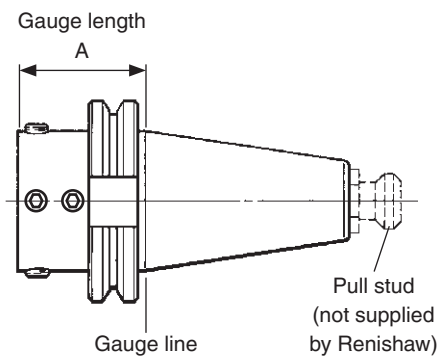


Part number
A-4038-0303

Shanks for OMP40 / OMP400 / RMP40 / RMP400 probes

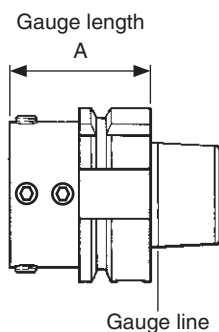
- Quote the part number when ordering equipment.
- Shanks are supplied in a natural finish.
- Dimensions are provided in mm (in).
- Face and taper (+) shanks should only be used where absolutely necessary.
- If you cannot find the shank you require, contact your local Renishaw representative for further information.

Taper shanks



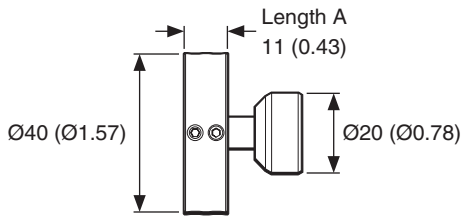
Shank type	Part number	Taper	Gauge length A
DIN 69871A (ISO 7388-1)	M-4071-0048	30	35.25 (1.388)
	M-4071-0340	30+	35.25 (1.388)
	M-4071-0069	40	41.60 (1.638)
	M-4071-0070	50	50.00 (1.969)
BT - 1982 (ISO 7388-2)	M-4071-0049	30	27.25 (1.073)
	M-4071-0170	30+	27.25 (1.073)
	M-4071-0057	40	32.00 (1.260)
	M-4071-0181	40+	38.50 (1.516)
	M-4071-0071	50	51.00 (2.008)
	M-4071-0156	50+	50.00 (1.969)
ANSI CAT B5.50-1985 (ASME B5.50) (imperial pull stud thread)	M-4071-0050	30	35.30 (1.390)
	M-4071-0058	40	35.30 (1.390)
	M-4071-0214	40+	35.25 (1.388)
	M-4071-0072	50	35.30 (1.390)
	M-4071-0392	50+	35.30 (1.390)
ANSI CAT B5.50-1985 (ASME B5.50) (metric pull stud thread)	M-4071-0073	40	35.25 (1.388)
	M-4071-0064	50	35.25 (1.388)
	M-4071-0255	50+	35.25 (1.388)

HSK shanks



Shank type	Part number	HSK	Gauge length A
DIN 69893 HSK form A+C (ISO 12164-1)	M-4071-0045	A+C32	35.00 (1.378)
	M-4071-0046	A+C40	35.25 (1.388)
	M-4071-0047	A+C50	42.25 (1.663)
	M-4071-0129	A+C63	42.00 (1.654)
	M-4071-0075	A+C80	42.25 (1.663)
	M-4071-0076	A+C100	45.25 (1.781)
DIN 69893 HSK form C (ISO 12164-1)	M-4071-0085	C40	35.25 (1.388)
DIN 69893 HSK form E (ISO 12164-1)	M-4071-0044	E25	30.50 (1.200)
	M-4071-0055	E32	35.00 (1.378)
	M-4071-0054	E40	35.25 (1.388)
	M-4071-0077	E50	42.25 (1.663)
	M-4071-0078	E63	42.00 (1.654)
DIN 69893 HSK form F (ISO 12164-1)	M-4071-0079	F63	42.25 (1.663)
SANDVIK CAPTO (ISO 26623-1)	M-4071-0066	C5	45.00 (1.772)
	M-4071-0067	C6	45.00 (1.772)
KENNAMETAL KM (ISO 26622-1)	M-4071-0065	KM63	30.00 (1.181)
	M-4071-0074	KM63Y	30.00 (1.181)

Shank adaptor to fit OMP40 on to MP11 type shanks



Part number	Length A
A-4071-0031	11 (0.43)

Spare parts and accessories

A full range of spare parts and accessories is available. Contact Renishaw for a full list.

www.renishaw.com/contact



#renishaw

+44 (0) 1453 524524

uk@renishaw.com

© 2002–2024 Renishaw plc. All rights reserved. This document may not be copied or reproduced in whole or in part, or transferred to any other media or language by any means, without the prior written permission of Renishaw.

RENISHAW® and the probe symbol are registered trade marks of Renishaw plc. Renishaw product names, designations and the mark 'apply innovation' are trade marks of Renishaw plc or its subsidiaries. Other brand, product or company names are trade marks of their respective owners.

WHILE CONSIDERABLE EFFORT WAS MADE TO VERIFY THE ACCURACY OF THIS DOCUMENT AT PUBLICATION, ALL WARRANTIES, CONDITIONS, REPRESENTATIONS AND LIABILITY, HOWSOEVER ARISING, ARE EXCLUDED TO THE EXTENT PERMITTED BY LAW. RENISHAW RESERVES THE RIGHT TO MAKE CHANGES TO THIS DOCUMENT AND TO THE EQUIPMENT, AND/OR SOFTWARE AND THE SPECIFICATION DESCRIBED HEREIN WITHOUT OBLIGATION TO PROVIDE NOTICE OF SUCH CHANGES.

Renishaw plc. Registered in England and Wales. Company no: 1106260. Registered office: New Mills, Wotton-under-Edge, Glos, GL12 8JR, UK.

Part no.: H-2000-2011-11-A

Issued: 03.2024